



Kentucky High School Athletic Association – Track & Field Site Inspection

Mercer County High School – Harrodsburg, Kentucky
Site Inspection Requested by Julian Tackett – Assistant Commissioner of KHSAA
Site Inspected by Gordon D. Bocock - #4848 – KHSAA Track & Field Consultant

Date of Inspection: Monday, March 13, 2006

Venue # 1 Running Track

Table with 2 columns: Inspection Category and Description. Categories include Lanes (Number and Size) General overall condition and concerns with the running track, Starting Lines (Staggers), Relay Exchange Zone Markings, Break Lines, Hurdles Color Markings Overall condition of hurdles, Starting Blocks (Number & Condition) Block Cart, and Starting Line Safety.

Finish Line Safety	The same fence that helps with the starting lines will assure that outsiders will be behind the fence and not interfering with the finish of the races. The other area around the finish area is in great shape.
Surrounding area (This could include bleachers, fencing, trees, limbs, etc.)	The area around the running track has fencing that goes around the complex that has the running track is great shape as far as being safe from outside items.

Location of Field Events

Mercer County Track and Field Complex

Venue #2. Pole Vault is located inside the oval in the first curve at the start and finish line area with the runway coming from the backstretch near the start of the 300 Hurdles.

Venue #3. High Jump is located inside the second oval in the second curve.

Venue #4. Long and Triple jump is located outside the oval on the backstretch with the pit being near the start of the 200 Meter Dash. The runway comes from the start of the 300 hurdles.

Venue #5. Shot Put is located outside the oval in a field located next to the track complex. It is located in an area closest to the front stretch of the track..

Venue #6. Discus is located outside the oval in a field located next to the track complex. It is located in an area closest to the backstretch of the track.

Venue #2 Pole Vault

. Pole Vault Landing Pad

Width of Pole Vault Pad: _____

Depth of Pole Vault Pad: _____

Depth from the back of box: _____

Common Cover: _____

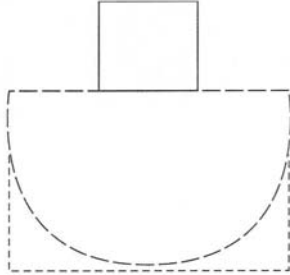
Weather Cover: _____

Comments: **Mercer County has an old Pit that does not meet the National Federation Safety Standards.**

New PV Landing Pad 19'8" wide 20'2" deep 16'5" back of box Exposed surfaces	<p>The pit that Mercer County has is still in the track storage building and it is not being used since it does not meet the National Federation Safety Standards.</p> <p>The area that is to hold the landing pad is hard black top. The size of the pad indicate that there will be exposed surfaces once a legal landing pad is in place.. Rule 7-5-9: Hard or unyielding surfaces, such as but not limited to concrete, metal, wood or asphalt around the landing pad, or between the planting box and the landing system, shall be padded or cushioned with a minimum of 2 inches of dense foam or suitable material.</p>
Vaulting Box Zero Point Markings	<p>The vaulting box is in very good condition and properly placed level in the ground. Zero point is not marked at the top of the vaulting box. A box collar was seen in the track storage building.</p> <p>It is highly recommended that the zero point be painted on the ground at the top of the back of the vaulting box and that the mark extend 10' on each side of the box so that the zero point on the standards and the box are one in the same.</p>

Runway 130'0"	The runway is 137' in length and is 20" wide and is in hard asphalt and the runway is not level throughout the approach.. It is noted that the runway needs to have the Bermuda grass that is growing over the edges sprayed, edged and removed before it becomes a problem
Standards / Crossbars 13'8" – 14'8" Bar – 14'10"	Standards were observed in the Track Storage Building. The pad under the landing pad is black top and when the standard bases are mounted and secured to the ground they will work there way loose in no time. It is highly recommended that once the new landing pads are obtained and the proper location of the standards are determined that concrete areas be placed directly under the standard bases so they can be properly mounted and secured to the ground. New cross bars were observed in the track storage building.
Weigh in Athletes	It is pointed out that the host school is responsible to provide scales for the KHSAA Meet Official to weigh all the vaulters before each competition. It is highly recommended that each coach weigh his or her vaulters weekly to assure that they are legal for the vaulting poles that they are using.
Coaching Box	The area outside of the running oval next to the track storage building would be an excellent location for a pole vault coaches box.
Area surrounding the Pole Vault Venue	The landing pad area for the pole vault is located in the worst possible position as it will greatly interfere with the view of the starters on all the oval races. The football field is located inside the oval of the track complex and there is no room to place the runway and landing pad on the side lines. The pole vault runway is located in the only area that could handle this venue but the landing area needs to be on the other end of the runway.
Pole Vault Venue (General Notes)	The Pole Vault venue is located inside the oval with the landing pad just past the common finish line for all running races. The location of the vaulting landing pad would be much better if switched to the other end of the runway as it's current location will see the competition stopped by the starter several times so they can view the start of the oval races. If and when a landing pad is obtained that meets the safety specifications of the National Federation, consideration should be given to moving the pad to the other end of the runway. Concrete pads will have to be added to secure the standards regardless which end of the runway the pit is located. Moving the pad would really assist with Meet Management and make for a safer venue.

Venue # 3 High Jump

. High Jump Pad and Apron	
	<p>Width of High Jump Pad: 16'8"</p> <p>Depth of the High Jump Pad: 8'</p> <p>Common Cover: Yes</p> <p>Weather Cover: Yes</p> <p>Comments: The eyes on the common cover need replaced.</p> <p>Apron Length: 67"</p> <p>Apron Width: 38'</p>
HJ Landing Pad 16' x 8' Exposed Surfaces	The High Jump Landing Pad is 16' x 8' but it has yet to be taken out of the track storage building. It is the proper size, it has a common cover but the clips and/or eyes are in need of repair. A weather cover was noted in the storage building. Rule 7-4-4: Hard and unyielding surfaces, such as but not limited to concrete, wood or asphalt, that extend out from beneath the sides and back of the high jump landing pad shall be padded with a minimum of 2-inch dense form or other suitable material.
HJ Apron	The High Jump apron (take off area) is a half moon (in reverse) that is 67' across the apron on the pit side and extends 38' out in front of the pit. It has a very hard asphalt surface. The apron extends out onto the curve of the track and jumping competition would have to be stopped when any oval race coming around curve 2 would take place.
Standards / Crossbar 12' apart bar is 12' to 14'10"	High jump standards were observed in the track storage building. A new cross bar was observed. A few older bars were observed in the storage building.
Area surrounding the	The area around the High Jump Venue is not useable for any other activity in the track meet.

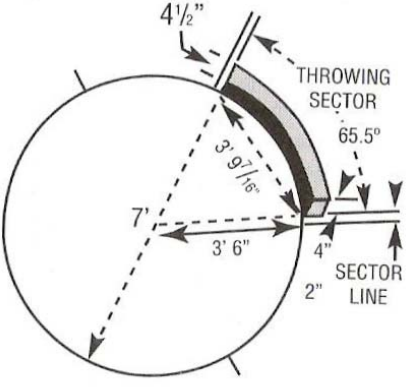
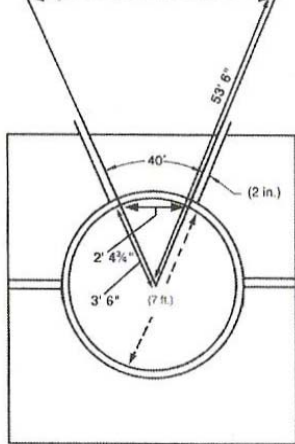
HJ Venue	
High Jump Venue (General Notes)	The High Jump Venue is located inside the oval inside the 2 nd turn of the track. Using the actual running track as part of the apron can delay the competition in the high jump as it will have to stop for a number of running events.

Venue # 4 Long and Triple Jump

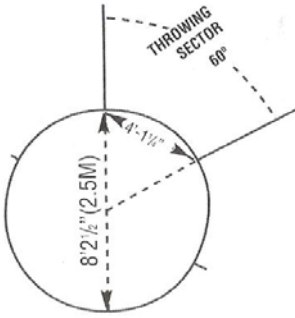
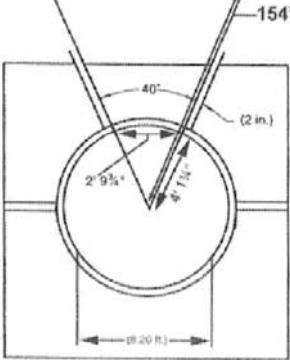
<p style="text-align: center;">Take-off Board: 8" min. — 24" max. x 4' long (at least)</p>	<p style="text-align: center;">. Long and Triple Jump Pits</p> <p>Number of Sand Pits: One</p> <p>Length of Pit: #1 – 17' #2 _____</p> <p>Width of Pit: #1 – 9" #2 _____</p> <p>Length of Runway: #1 – 144' #2 _____</p> <p>LJ Take off Marks: #1 – None</p> <p>TJ Take off Marks: #1 – None</p>
--	---

<p>Landing Pit Take Off Marks LJ - (8' and 12') TJ - (28' and 32") And the Runway (if more than one pit describe each)</p>	<p>The Long Jump and Triple Jump pit is 17' X 9' and it has railroad ties as edging. There are no take off marks for the long or triple jump.</p> <p>It is recommended that all the take off marks be painted as there are is no way for the athletes to practice there steps before jumping.</p> <p>The runway has plenty of length but is not level.</p>
<p>Sand Pit Condition</p>	<p>It is difficult to tell if the sand pit has the proper amount of sand as it has yet to be prepared for the season. The current condition has the sand packed very tight and we do not recommend that practice be held at this venue until the pit has been properly prepared. Several areas of the pit have things growing and lots of dead grassy material. The pit need to be tilled completely and raked clean then leveled. When the pit is properly prepared the sand level should be level with the concrete edges. Rakes, brooms and shovels need to become a part of the daily equipment at this venue.</p>
<p>Area around the Long/Triple Jump Pit(s)</p>	<p>To the left of the runway and pit is a fence that separates the track and the spectator area on the backstretch. A better venue for long jumping would be near the start of the 300 hurdles and outside the fence where two sand pits and two runways could easily be placed to greatly help in meet management as well as practice time for boys and girls.</p>
<p>Long and Triple Jump Venue (General Notes)</p>	<p>The Long/Triple Jump venue is located outside the oval on the backstretch near the start of the 200 Meter Dash. The pit has yet to be prepared for practice and/or competition. The run way is not level and has no take off marks in place.</p>

Venue #5 Shot Put

 <p style="text-align: center;">Old Sector</p>	 <p style="text-align: center;">40 Degree Sector</p>	<p style="text-align: center;">New Sector 34.92</p> <p>From the center of the 7-foot Shot Put circle, measure one of the outer boundary lines 20 meters and make a Mark #1 on the sector line. Measure 12 meters (.6 of the 20 Meter boundary line) from Mark #1 toward the other boundary line and make Mark #2.</p> <p>From the center of the Shot Put circle, measure 20 Meters out the 2nd boundary line and align this 20 Meter measurement with Mark #2 and the center of the circle and you will have your 34.92 sector.</p>
<p>Circle – Concrete Pad</p>	<p>The concrete pad is 10 x 10 with a 7' circle properly placed on the pad. A good toe board is properly secured to the pad. It is pointed out that the entire shot put pad is not level but pointed down hill, which will have the athletes generating more speed than usual across the circle that will result in more throwing violations. The 7' circle needs to receive some fresh paint.</p> <p>It is recommended that a new concrete pad be poured on a level base that will allow the athletes to practice and compete in a safe and legal circle.</p>	
<p>Sector and Cage</p>	<p>The sector lines were not in place but the coach did say that he planned to use the new 34.92 degree sector since that is what will be used in the Region/State this year. The entire sector is down hill and there is no way to get a true accurate measurement for any of the athletes.</p> <p>A shot put cage is not required and Mercer County does not have one in place.</p>	
<p>Weight in of Implements</p>	<p>It is pointed out that the host school is responsible to provide scales for the KHSAA Meet Official to weigh all the throwing implements before each competition. It is highly recommended that each coach weigh his or her athletes implements weekly to assure that they are legal and that no alterations have been made to the implements.</p>	
<p>Surrounding Area</p>	<p>The area around the shot put venue is unsafe. Officials in the throwing sector have very uneasy footing and the entire sector is down hill and is very rough. There is absolutely no place for spectators and no one should be allowed in this area when implements are being thrown.</p>	
<p>Shot Put Venue (General Notes)</p>	<p>The Shot Put Venue is located outside the oval in a field outside the second curve of the track. It is an area that is not really safe for throwing events. The footing is down hill and full of assorted holes (sink holes) that could well cause safety issues for athletes in practice or for athletes and/or officials in competition. It is highly recommended that this area be tilled and/or disked and then the entire area be leveled to assure level footing for all the athletes and officials. Once the field is level then a new shot put circle should be put in place on the level surface.</p>	

Venue #6 Discus Throw

 <p style="text-align: center;">Old Sector</p>	 <p style="text-align: center;">40 Degree Sector</p>	<p style="text-align: center;">New Sector 34.92</p> <p>From the center of the 8 foot 2 ½” circle, measure one of the outer boundary lines 60 meters and make a Mark #1 on the sector line. Measure 26 meters (.6 of the 60 Meter boundary line) from Mark #1 toward the other boundary line and make Mark #2. From the center of the Discus circle, measure 60 Meters out the 2nd boundary line and align this 60 Meter measurement with Mark #2 and the center of the circle and you will have your 34.92 sector.</p>
--	--	--

Circle – Concrete Pad	The concrete pad is 10’ x 10’ and has a 8’2 ½” circle. The concrete is old and very rough and needs to be replaced.
Sector and Cage	<p>The sector lines were not in place but the coach did say that he planned to use the new 34.92 degree sector since that is what will be used in the Region/State this year. The entire sector is up hill and there is no way to get a true accurate measurement for any of the athletes. The sector is full of various and assorted holes and is unsafe for the athletes and officials.</p> <p>The cage does not meet the new standards of safety for the 34.92 degree throwing sector and sections will need to be added to the front of each side of the cage so that the front poles are within 5’ of the sector lines on each side. It is recommended that no one be allowed to practice in this venue until the cage meets the safety requirements of the National Federation.</p>
Weight in of Implements	It is pointed out that the host school is responsible to provide scales for the KHSAA Meet Official to weigh all the throwing implements before each competition. It is highly recommended that each coach weigh his or her athletes implements weekly to assure that they are legal and that no alterations have been made to the implements.
Surrounding Area	The area around the discus venue is unsafe. Officials in the throwing sector have very uneasy footing and the entire sector is up hill and is very rough. There is absolutely no place for spectators and no one should be allowed in this area when implements are being thrown.
Discus Venue (General Notes)	The Discus Venue is located outside the oval in a field outside the second curve of the track. It is an area that is not really safe for throwing events. The footing is up hill and full of assorted holes (sink holes) that could well cause safety issues for athletes in practice or for athletes and/or officials in competition. It is highly recommended that this area be tilled and/or disked and then the entire area be leveled to assure level footing for all the athletes and officials. Once the field is level then a new shot put circle should be put in place on the level surface.

Meet Management	
Seating and Spectator Control	The Mercer County Track and Field Complex shares the same area as the Football Stadium, therefore there are plenty of bleachers on the front stretch for this track facility as well as additional seating on the visitors side of the field. Good fencing has the crowd under control with the exception of the field being used for throwing events. It is highly recommended that no spectators be allowed out in this throwing area.
Public Address and Press Box	The Football Press Box and Public Address system are more than adequate for a track and field meet.
Meet Management in regard to Running Events	At this spite inspection no meets was observed. Officials at future meets at this facility would judge the meet management skills in regard to running events.
Meet Management in regard to Field Events	At this spite inspection no meets was observed. Officials at future meets at this facility would judge the meet management skills in regard to field events.

**Regional Meet
Site**

In your opinion would you recommend this facility to be considered as a Regional Track and Field Meet Site?

At this time the Mercer County High School and the Track and Field complex is not ready to host a KHSAA Regional Track and Field Meet. Throughout this report some issues are pointed out that need to be addressed before a dual meet is conducted at this facility. With the difference in width of each lane it is highly recommended that all the marks on this track be checked by a professional to assure not only the accuracy of the marks but the safety of athletes, especially in hurdle events. No Pole Vault, and questions in the long/triple jump need addressed. The throwing venues are unsafe for practice or competition at this time. **At the time of this inspection we do not recommend any competition be held at this facility. It is fully recommend that practice be held only for running events and high jumpers due to the condition of other field event area.**

The Meet Officials at future home meets will be better able to address any Meet Management concerns that may be present.

Respectively submitted,

Gordon D. Boccock

Gordon D. Boccock, #4848
KHSAA Track and Field Consultant